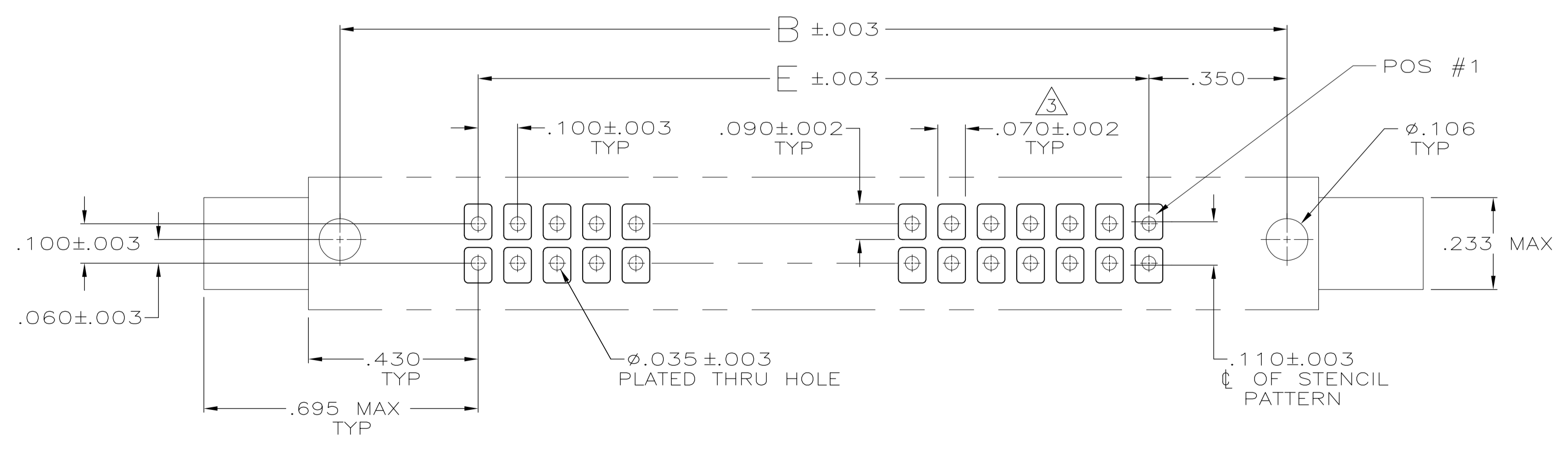
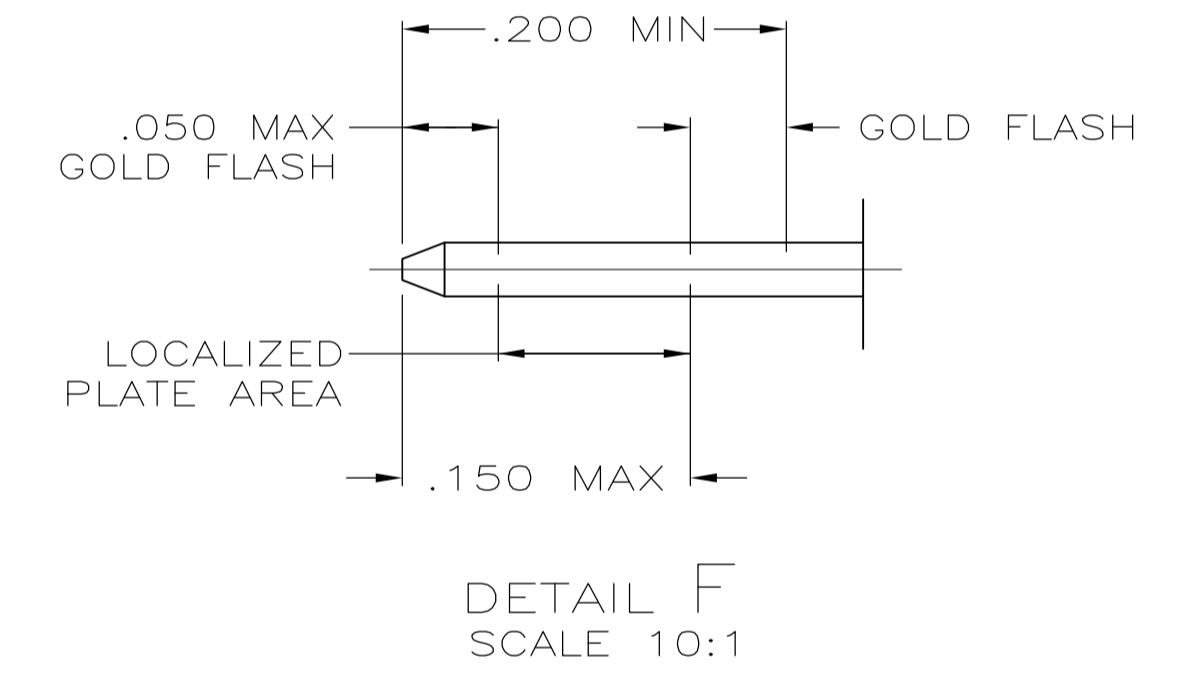
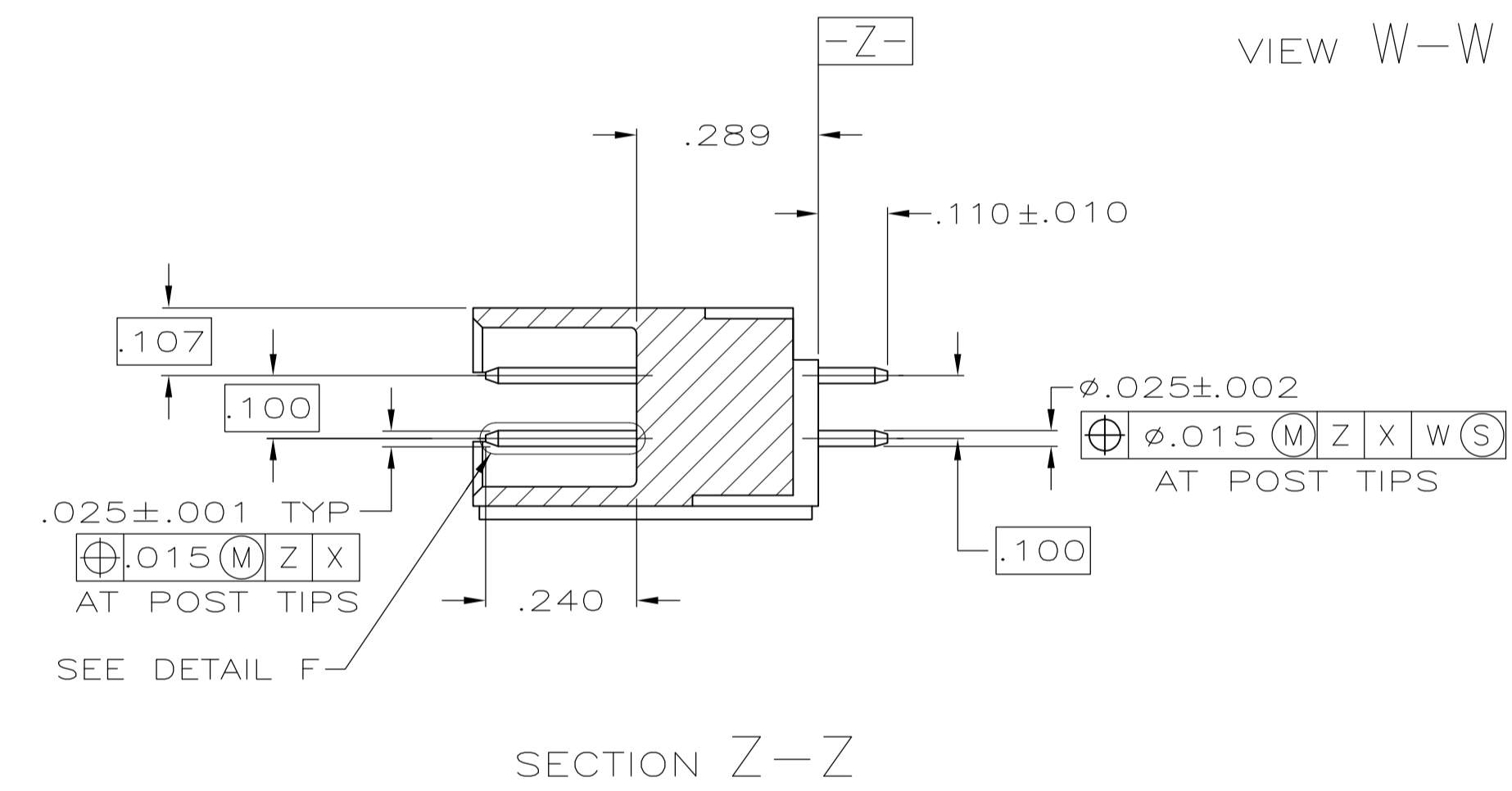
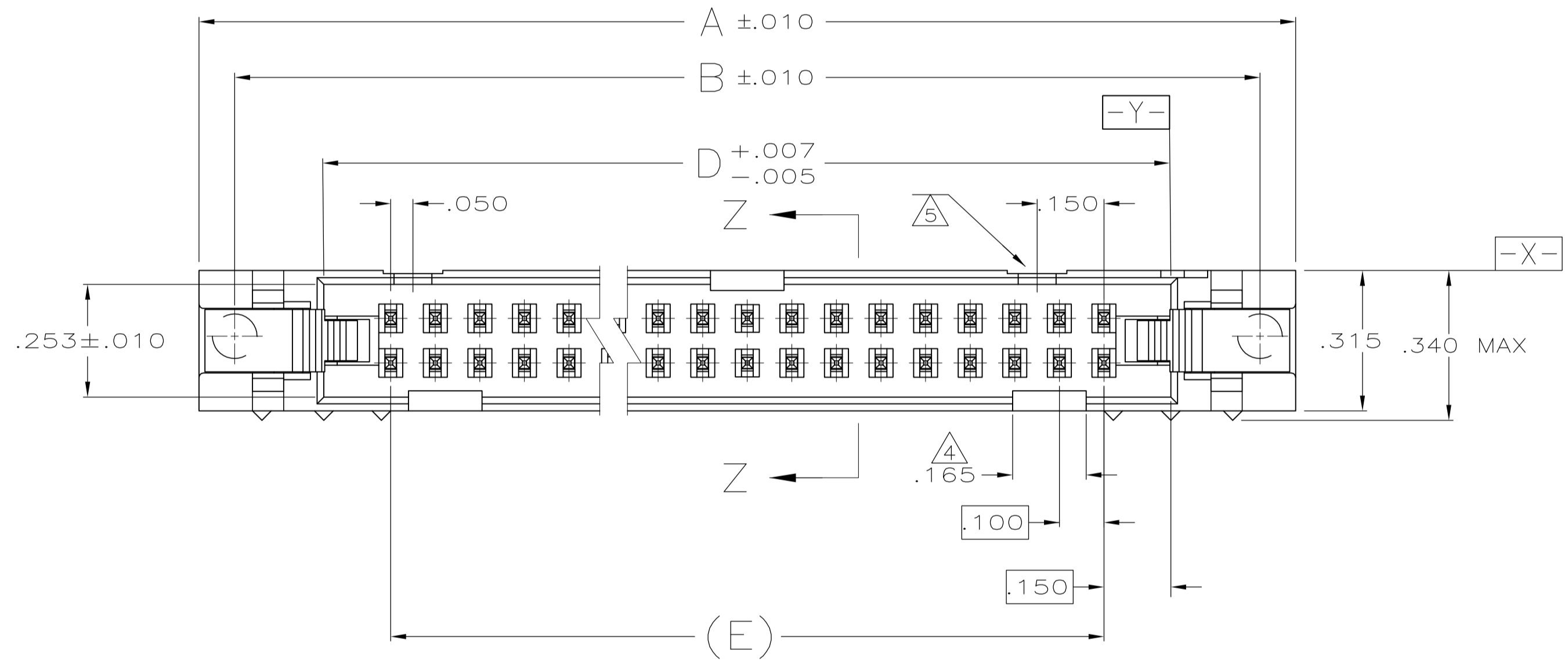
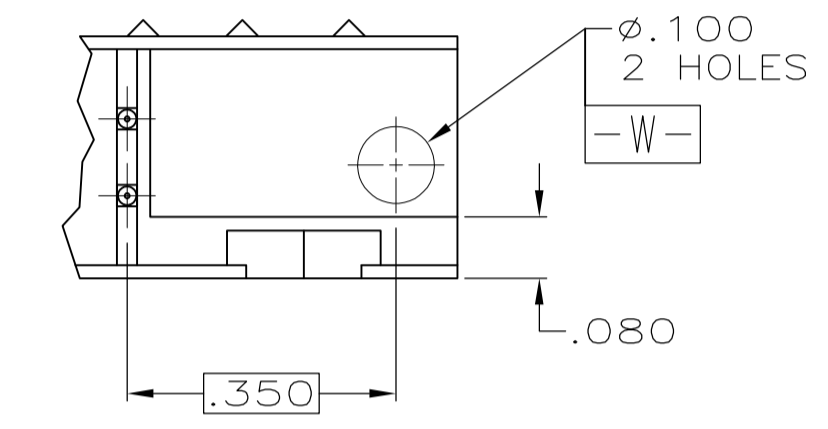


- ⚠ MOLDED PARTS: FLAME RETARDANT PCT, UL94V-0 RATED, COLOR RED.
POSTS: BRASS OR PHOS BRONZE.
- ⚠ POSTS: GOLD FLASH OVER PALLADIUM-NICKEL PLATE, .000030 MIN TOTAL ON THE LOCALIZED PLATE AREA, .000100 MIN TIN PLATE ON THE SOLDER-TAIL, .000050 MIN NICKEL UNDERPLATE ON THE ENTIRE POST.
-OR-
.000030 MIN GOLD PLATE ON THE LOCALIZED PLATE AREA, .000100 MIN TIN PLATE ON THE SOLDER-TAIL, .000050 MIN NICKEL UNDERPLATE ON THE ENTIRE POST.
- ⚠ RECOMMENDED STENCIL THICKNESS EQUALS .010
- ⚠ FOR 10 POS.HEADER ONLY, ONE SLOT LOCATED AS SHOWN.
- ⚠ NO SNAP-IN POLARIZING FEATURE ON THIS END FOR 10 & 14 POS HEADERS.



OBSOLETE	2.400	2.700	2.860	3.100	3.260	50	1-5111399-0
	1.600	1.900	2.060	2.300	2.460	34	5111399-8
	.900	1.200	1.360	1.600	1.760	20	5111399-4
	.700	1.000	1.160	1.400	1.560	16	5111399-3
	.600	.900	1.060	1.300	1.460	14	5111399-2
.400	.700	.860	1.100	1.260	10	5111399-1	
	E	D	C	B	A	NO OF POSN	PART NO

THIS DRAWING IS A CONTROLLED DOCUMENT.

DIMENSIONS: mm (INCHES)	TOLERANCES UNLESS OTHERWISE SPECIFIED:	DIN G. ATTADIA - DOCKS 01-11-05	APVD S. BOLASH 01-11-05	NAME M. WALMSLEY 01-11-05	Tyco Electronics Corporation Harrisburg, PA 17105-3608	
0 PLC ± -	1 PLC ± -	2 PLC ± -	3 PLC ± -.005	4 PLC ± -	ANGLES ± 0° 30'	
MATERIAL	FINISH	SIZE	WEIGHT	CAGE CODE	DRAWING NO	RESTRICTED TO
		A1		00779	5111399	

CUSTOMER DRAWING SCALE 4:1 SHEET 1 OF 1 REV C